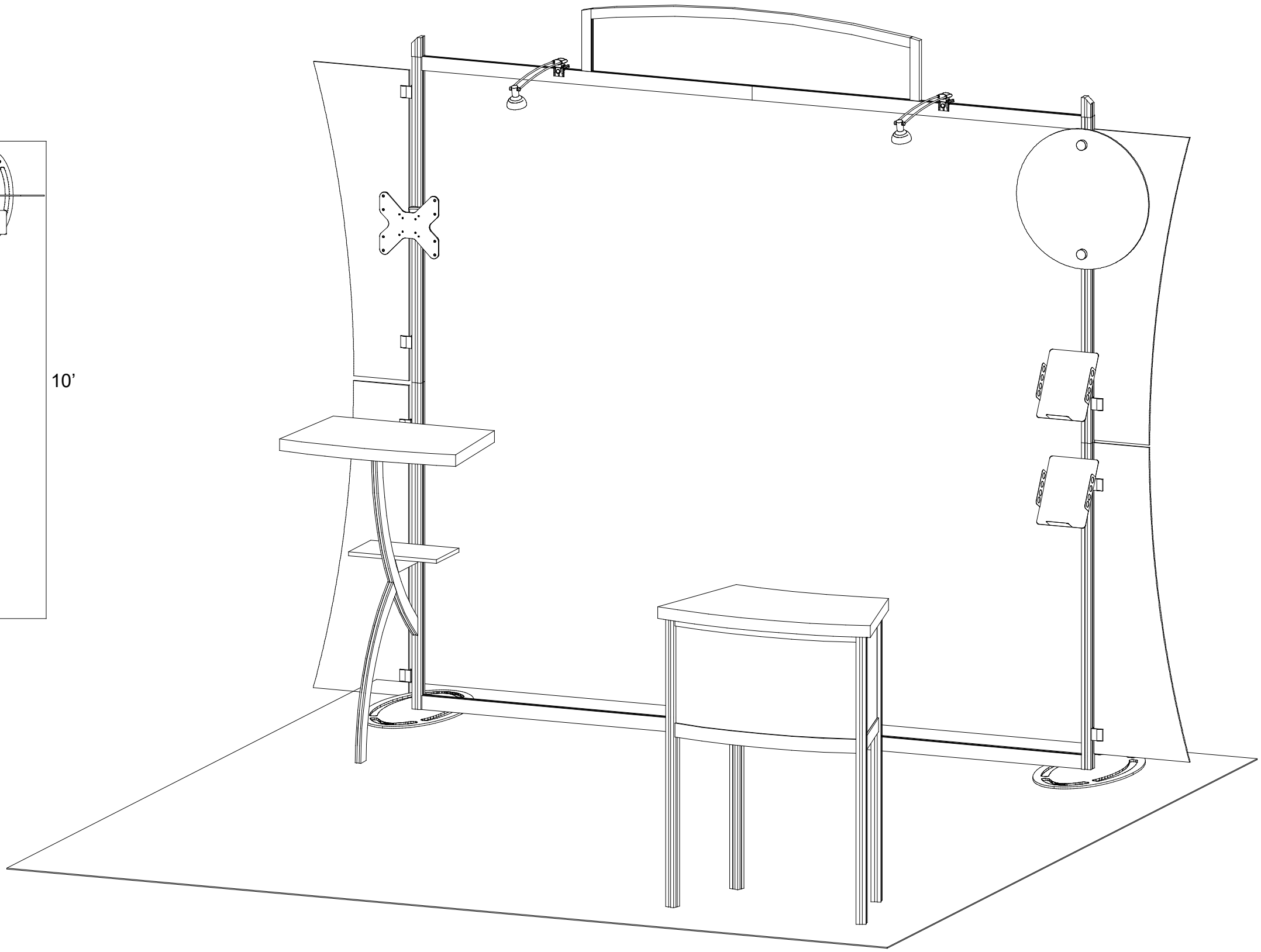


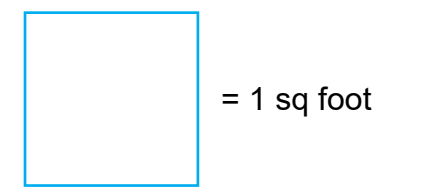
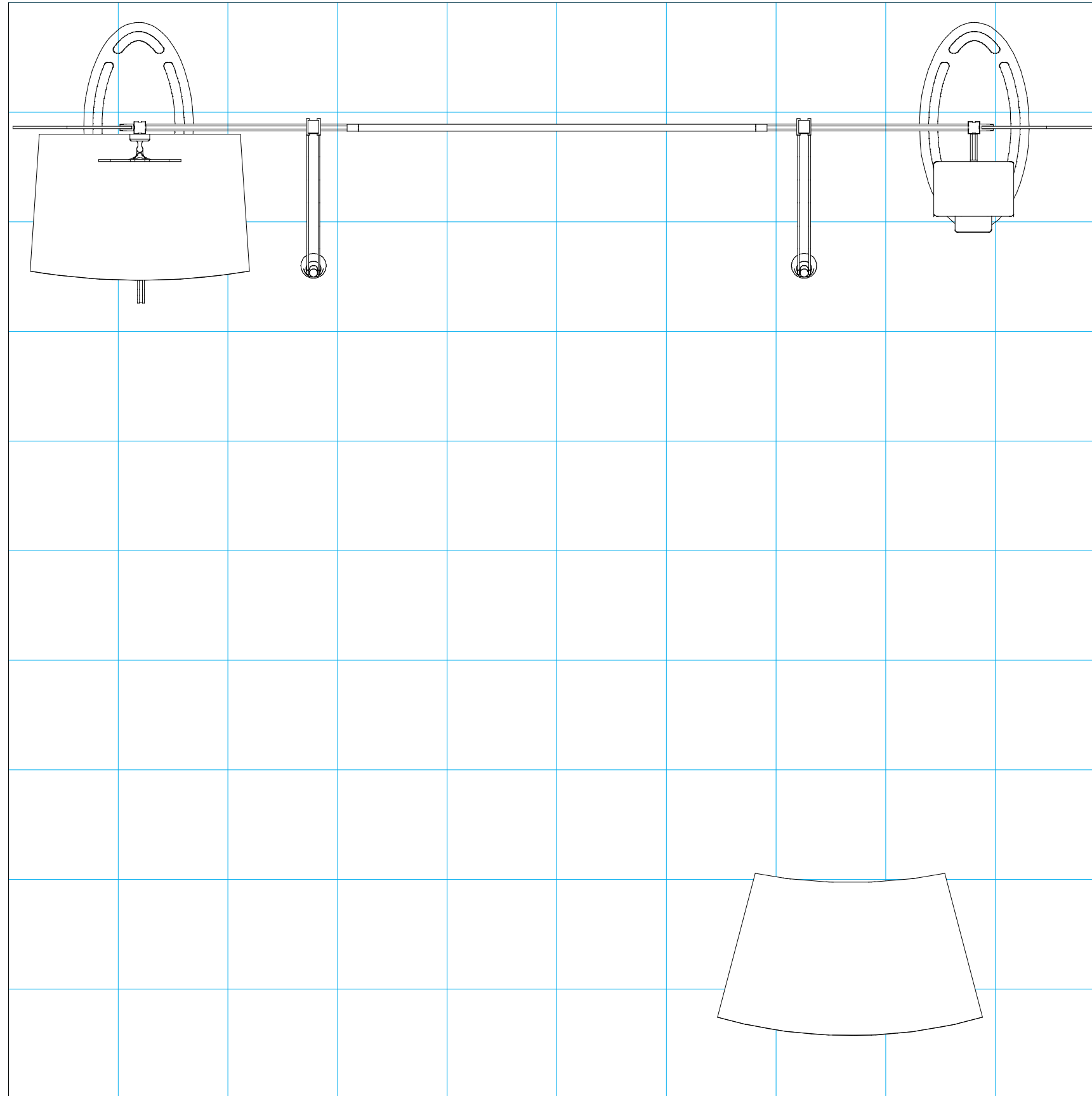
Plan View

10'



 **SETUP INSTRUCTIONS**

If you would like to tell us about your experience with your setup instructions please email us at [info@classicexhibits.com](mailto:info@classicexhibits.com)



## General Setup Instructions

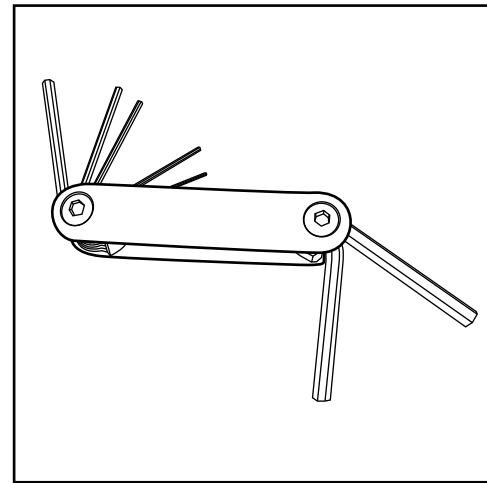
- Read entire setup instruction manual prior to unpacking parts and pieces.
- The setup instructions are created specifically for this configuration.
- Setup instructions are laid out sequentially in steps, including exploded views with detailed explanation for assembly.

## Cleaning & Packing

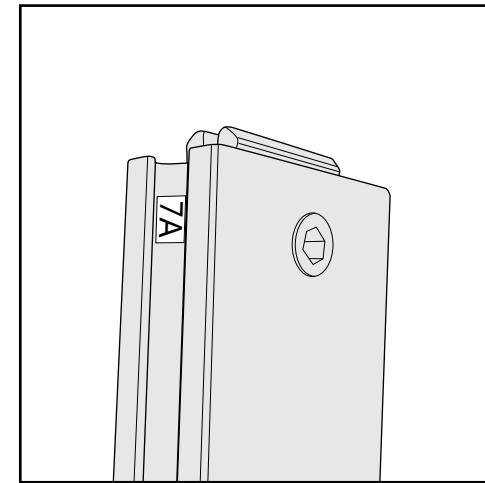
- For Cleaning Metal, Plex, & Laminate Parts: Use a **MILD NON-ABRASIVE** cleanser and soft cloth/paper towel to clean all surfaces.
- Keep exhibit components away from heat and prolonged sun exposure. **Heat and UV exposure will warp and fade components.**
- Retain all provided Packing Materials. All provided packing materials are for ease of repacking & component protection.

## Disassembly

- For loss prevention, tighten all set screws and locks during disassembly.



Hex Tool - Essential for Assembly



Part Identification - Numbering



Spline Connection



Base Plate & Extrusion Connection



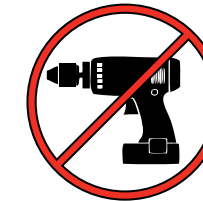
Extrusion & Lock Connection



Engaged Lock



**WARNING**



DO NOT USE POWER TOOLS



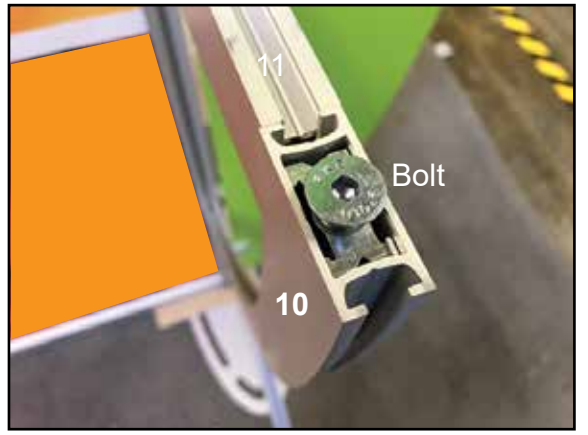
LADDERS OR LIFTS  
MAY BE REQUIRED



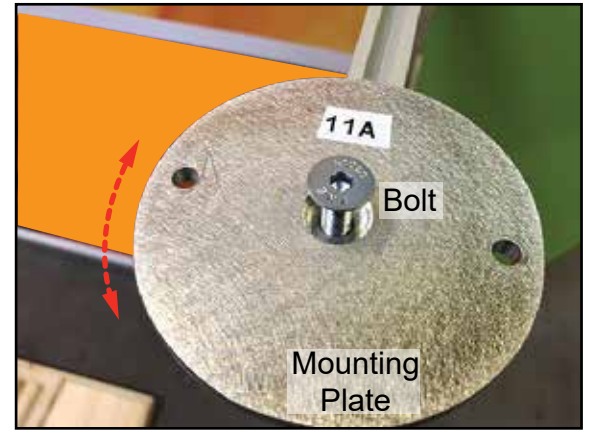
ALL CONNECTIONS MUST  
BE TIGHTLY SECURED



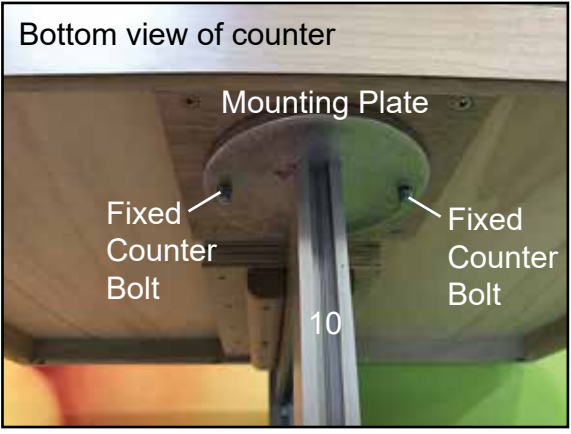
1) Mounting plate & wing nuts, in packed position.



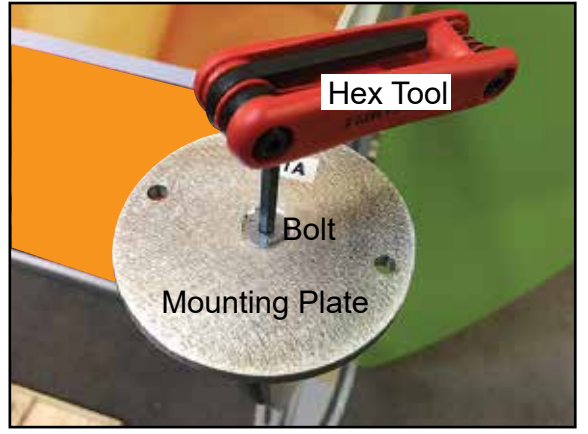
2) Mounting plate bolt in, packed position.



3) Place mounting plate onto [10] then tighten bolt, part way, allowing some rotation for final positioning.



4) Place fixed counter bolts into mounting plate, then lift counter to re-tighten bolt.

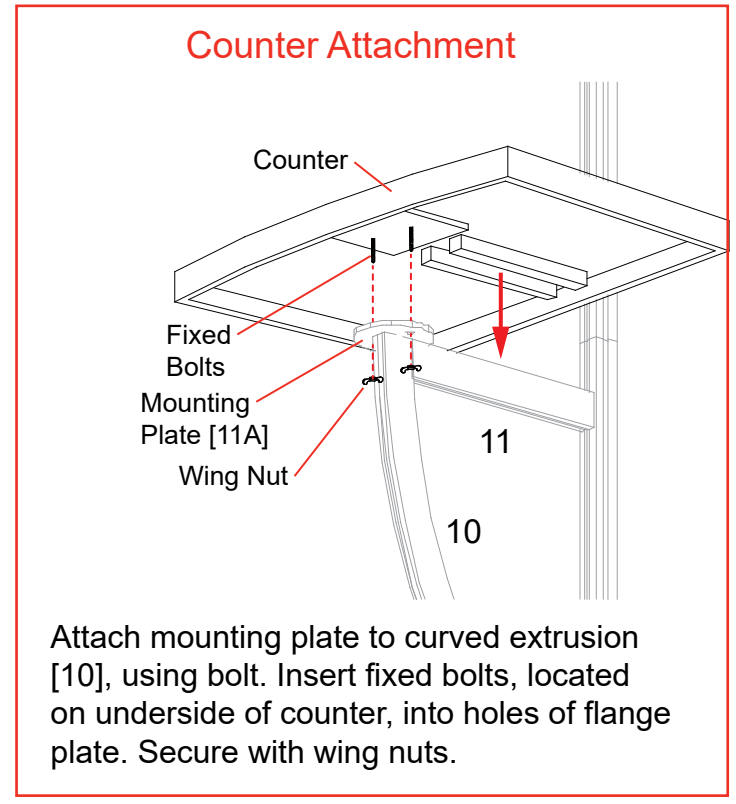


5) Tighten bolt, using hex tool, to secure.



6) Place fixed counter bolts into mounting plate, then secure using wing nuts.

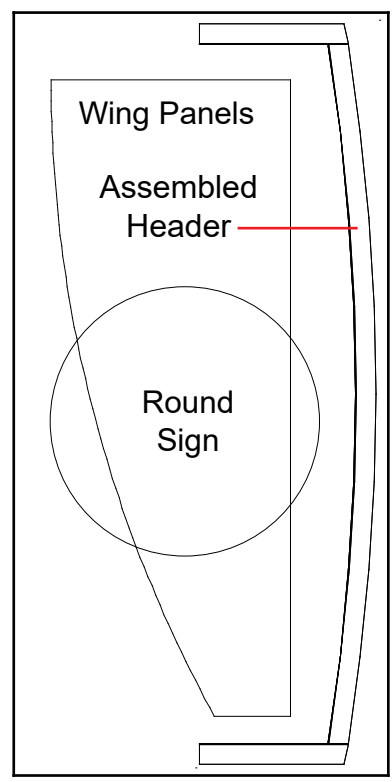
Completed Assembly



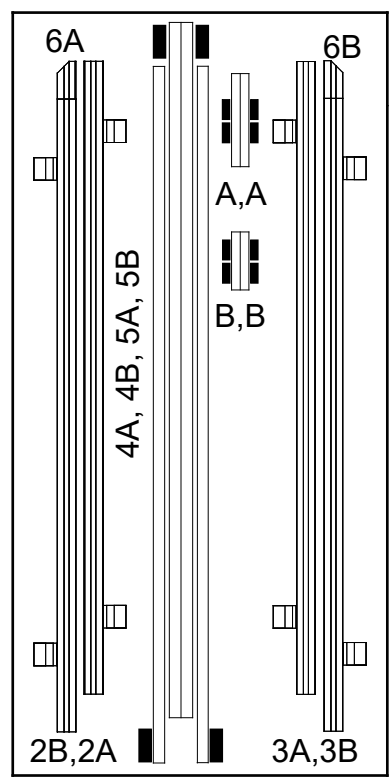
Keep mounting plate [11A] and wing nuts attached to counter, when packing.

Keep bolt attached to [10], when packing.

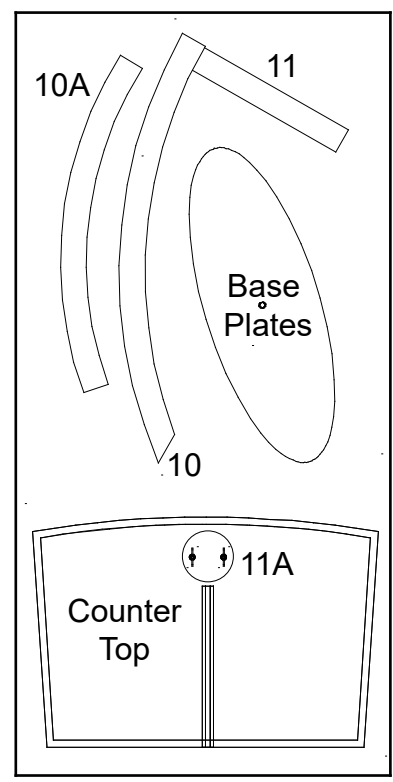
### Top View of Each Level



Level 1 (Bottom Level)



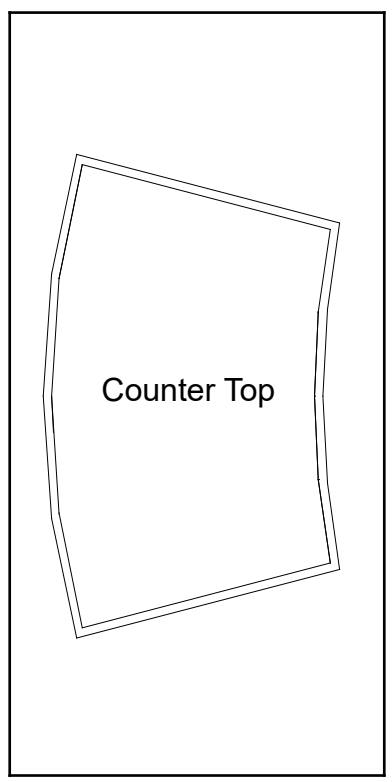
Level 2



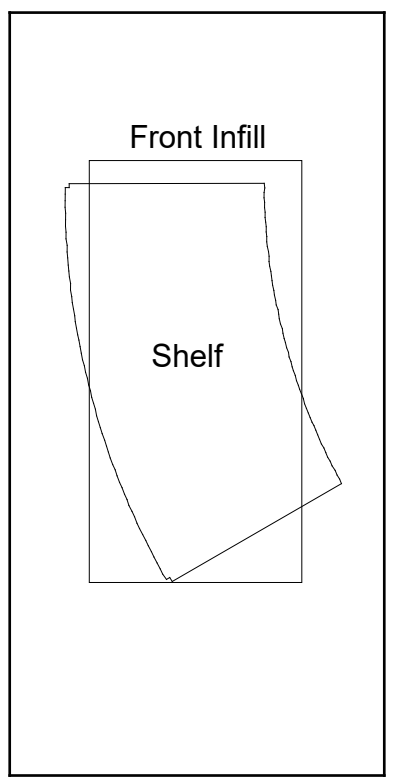
Level 3

- Literature Trays
- Lights
- Graphics
- Setup Hardware
- Monitor Mount
- Shelf

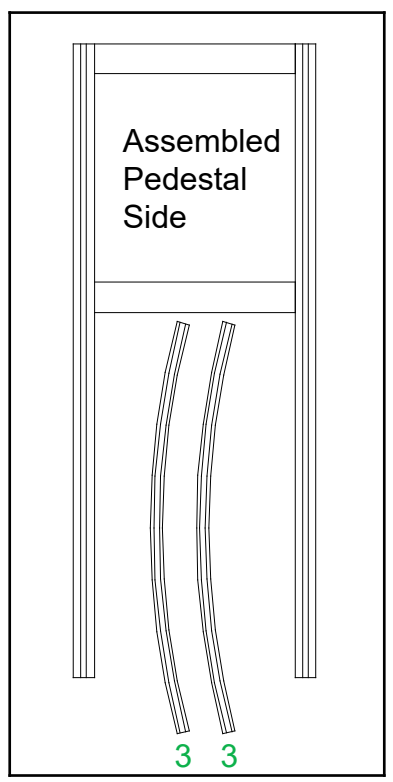
### Top View of Each Level



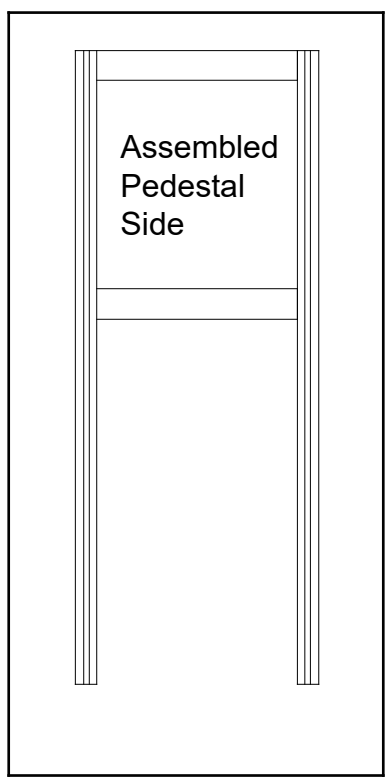
Level 1 (Bottom Level)



Level 2



Level 3

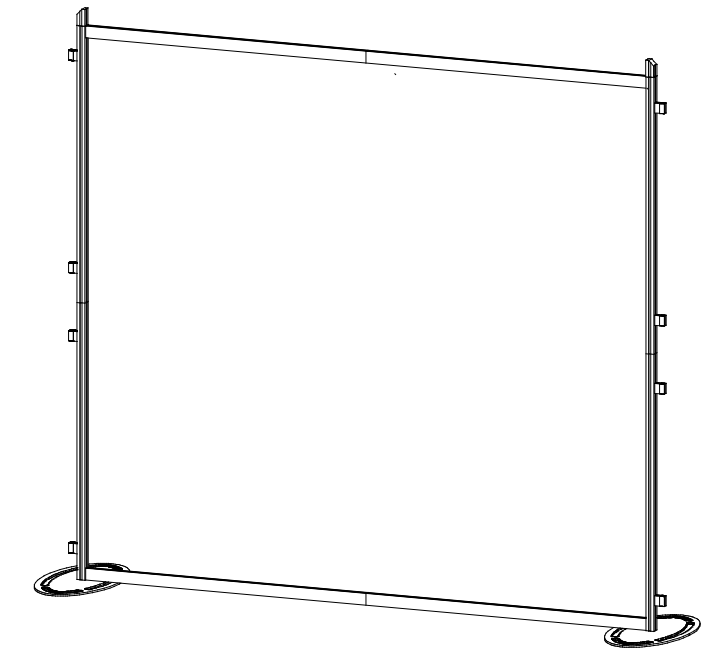


Level 4

Item	Qty.	Description
1	2	Base Plate
2A,2B	1,1	42" S40 Vertical Extrusion w/ A10 Clamps
3A,3B	1,1	42" S40 Vertical Extrusion w/ A10 Clamps
4A,4B	1,1	45" Z45 Horizontal Extrusion
5A,5B	1,1	45" Z45 Horizontal Extrusion
6A,6B	1,1	2.5" S40 Angle-Cut Vertical

Steps:

- 1) Attach base plates [1] lower verticals [2A] and [3A], using bolts.
- 2) Connect verticals [2A to 2B] and [3A to 3B], using connection bars [B].  
See [Straight Connection with Knobs](#) detail.
- 3) Connect horizontals [4A to 4B] and [5A to 5B], using connection bars [A].  
See [Straight Connection with Knobs](#) detail.
- 4) Connect assemblies [2A/2B] and [3A/3B] with assemblies [4A/4B] and [5A/5B].  
See [Corner Connection with Knob](#) detail.
- 5) Connect extrusions [6A to 2B] and [6B to 3B].  
See [2.5" h Angle-Cut Vertical Attachment](#) detail.
- 6) Attach graphic to Velcro on back of assembled Backwall.



When Assembled

Keep extrusions [6A,6B] attached to [2B,3B].

Keep A10 clamps attached to [2A,2B,3A,3B].

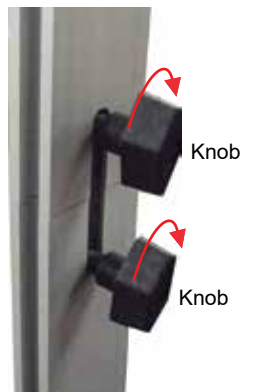
★ **Corner Connection with Knob**



Turn knob clockwise to tighten lock.

Do not over tighten Knobs

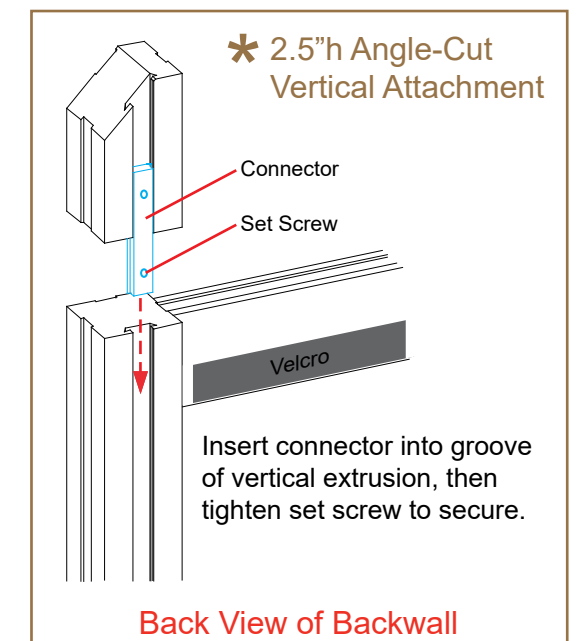
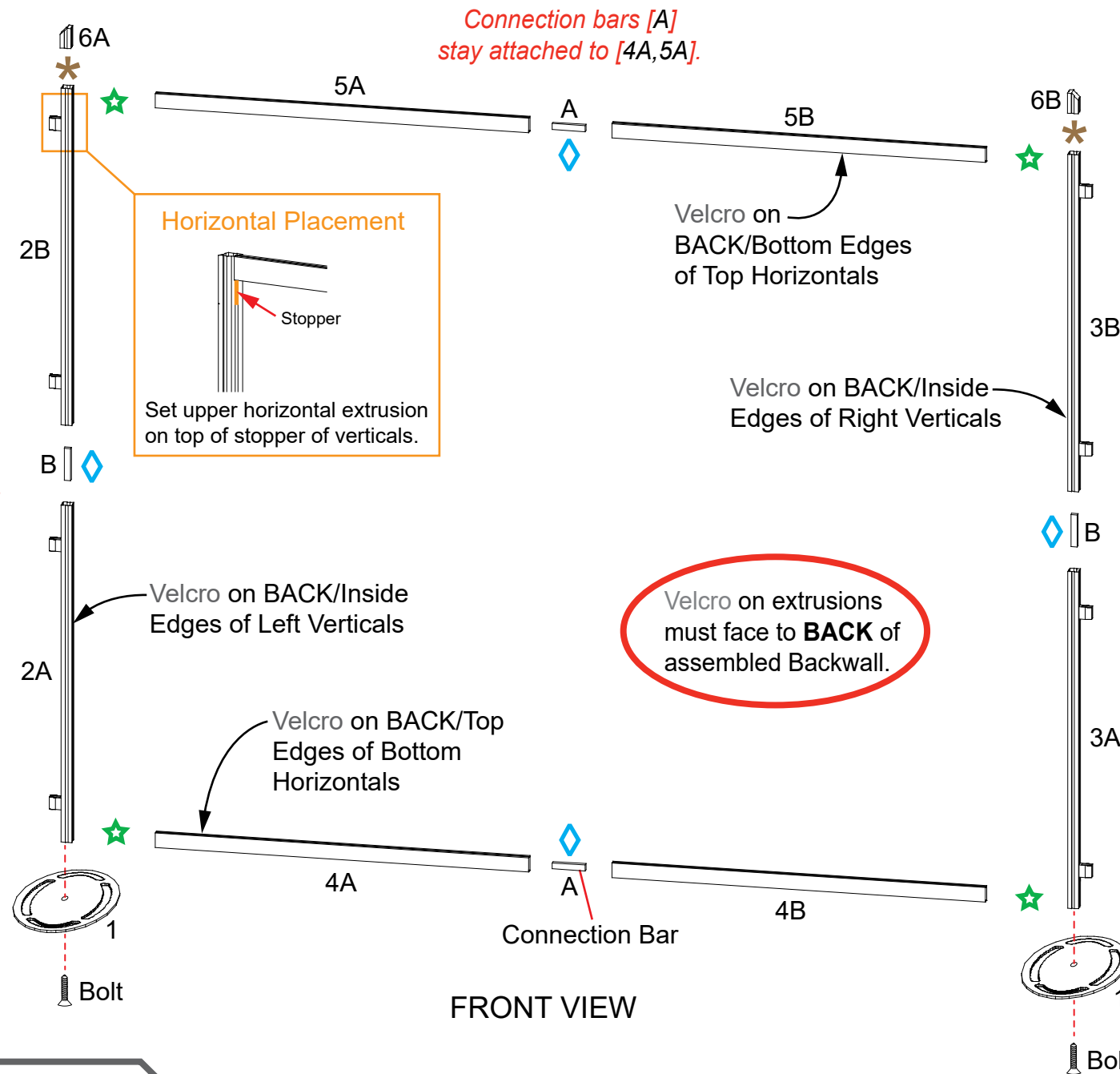
◆ **Straight Connection with Knobs**



Slide connection bar between extrusions, then turn knobs clockwise to tighten lock.

Do not over tighten Knobs

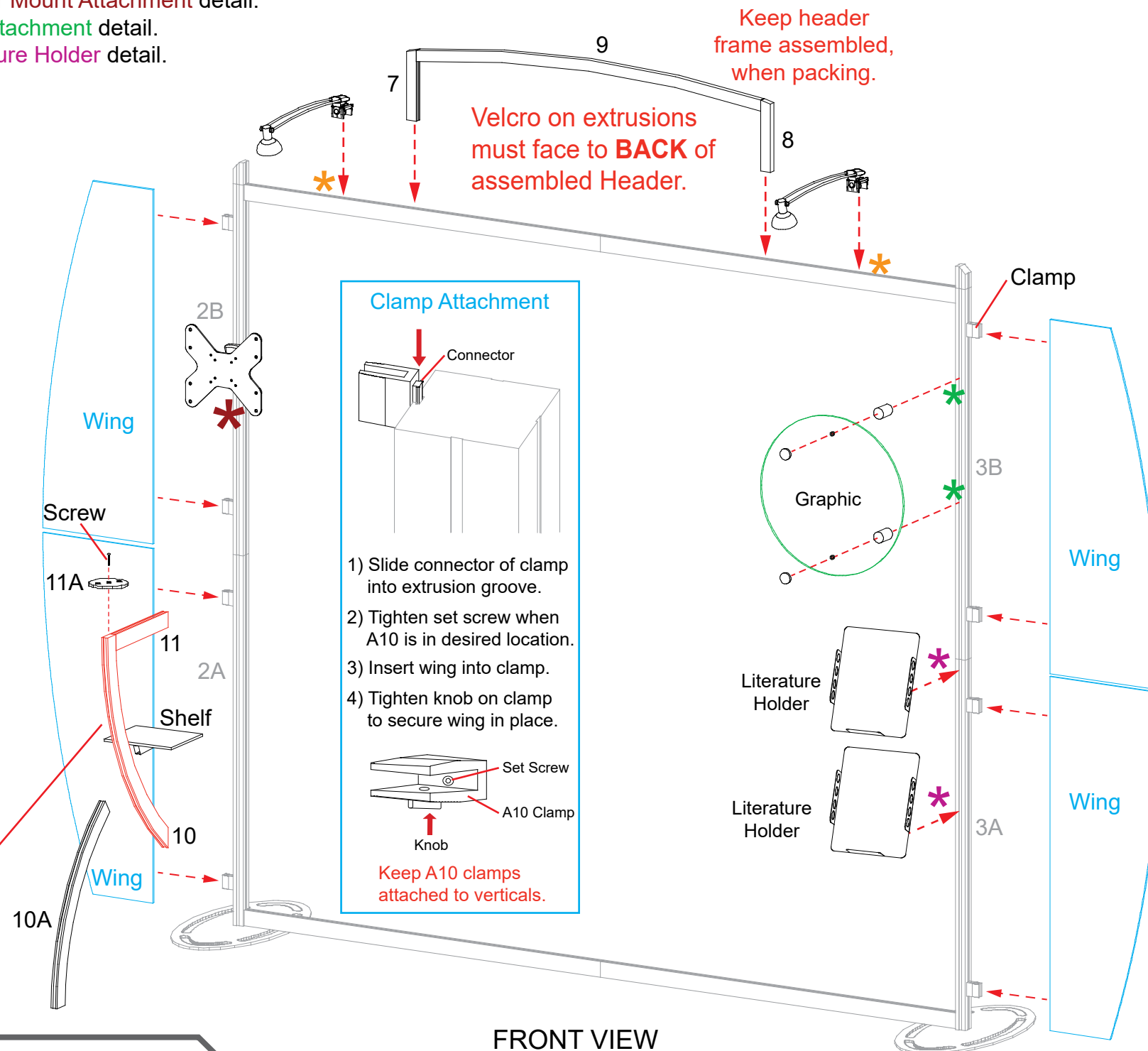
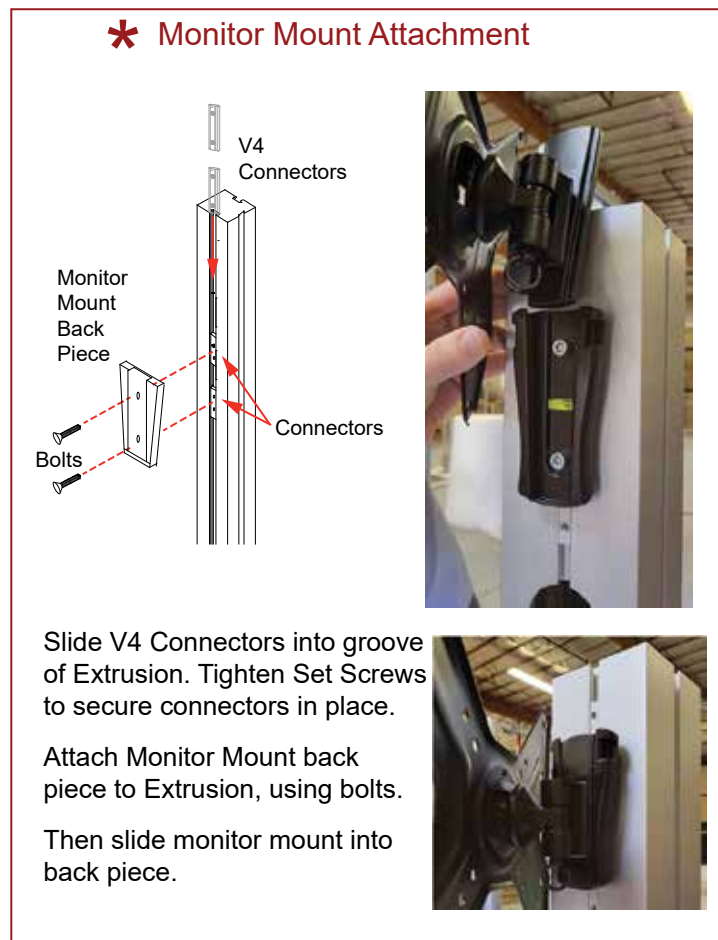
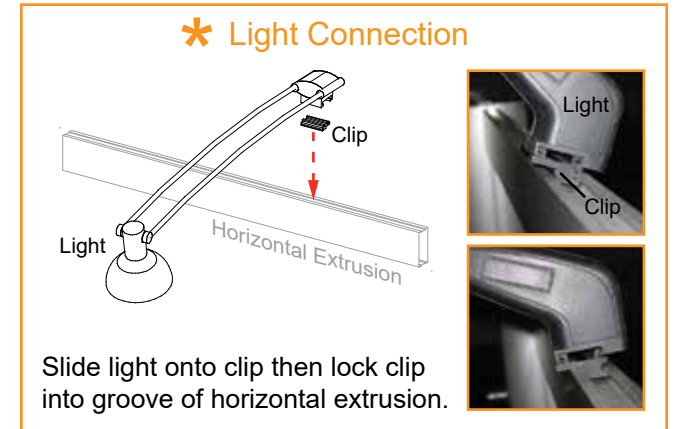
Connection bars [B] stay attached to [2A,3A].



Steps:

- 1) Connect lights to top horizontal extrusions [5A/5B]. See [Light Connection](#) detail.
- 2) Attach assembled Header Frame and affix graphic using Velcro.
- 3) Attach extrusions [10/11] and shelf to vertical [2A].
- 4) Attach support leg [10A] to curved extrusion [10].
- 5) Attach flange plate [11A] to top of curved extrusion [10], using bolt.
- 6) Attach counter top to counter mounting plate [11A]. See Counter Assembly page.
- 7) Attach Wings to A10 clamps. See [Clamp Attachment](#) detail.
- 8) Attach Monitor Mount to vertical [2B]. See [Monitor Mount Attachment](#) detail.
- 9) Attach Sign to vertical extrusion [3B]. See [Sign Attachment](#) detail.
- 10) Attach Literature Holders to [3A/3B]. See [Literature Holder](#) detail.

Item	Qty.	Description
7/8/9	1/1/1	Header Frame
10	1	30.2" Curved Extrusion
10A	1	Support Leg
11	1	12.184" Horizontal Extrusion
11A	1	Counter Mounting Plate



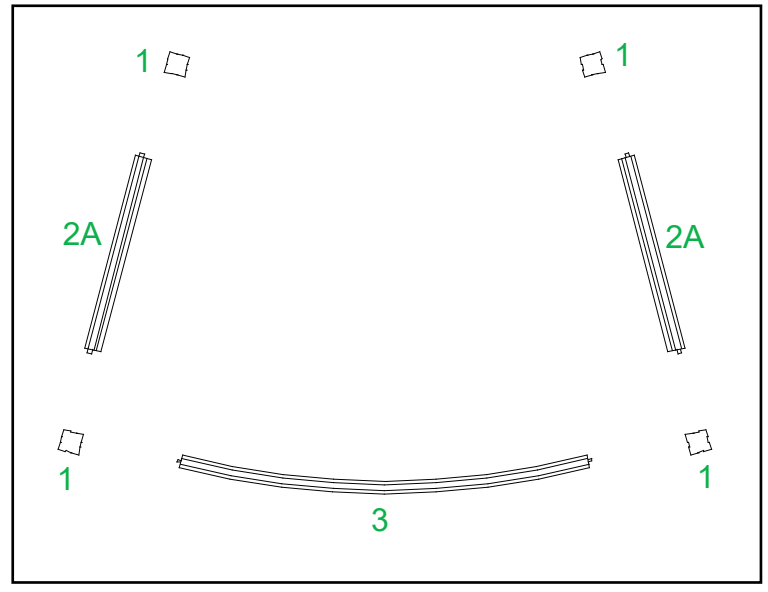
FRONT VIEW



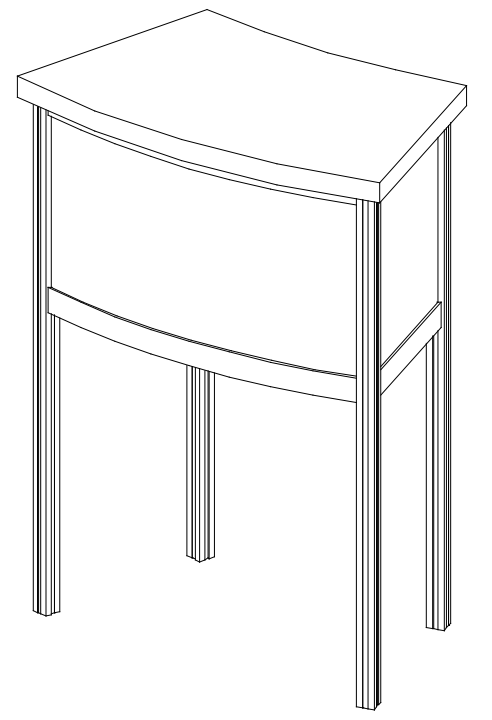
Item	Qty	Description
1	4	38" S40 Vertical Extrusion
2,2A	2,2	12" Z45 Horizontal Extrusion
3	2	25" Z45 Horizontal Extrusion

**Steps**

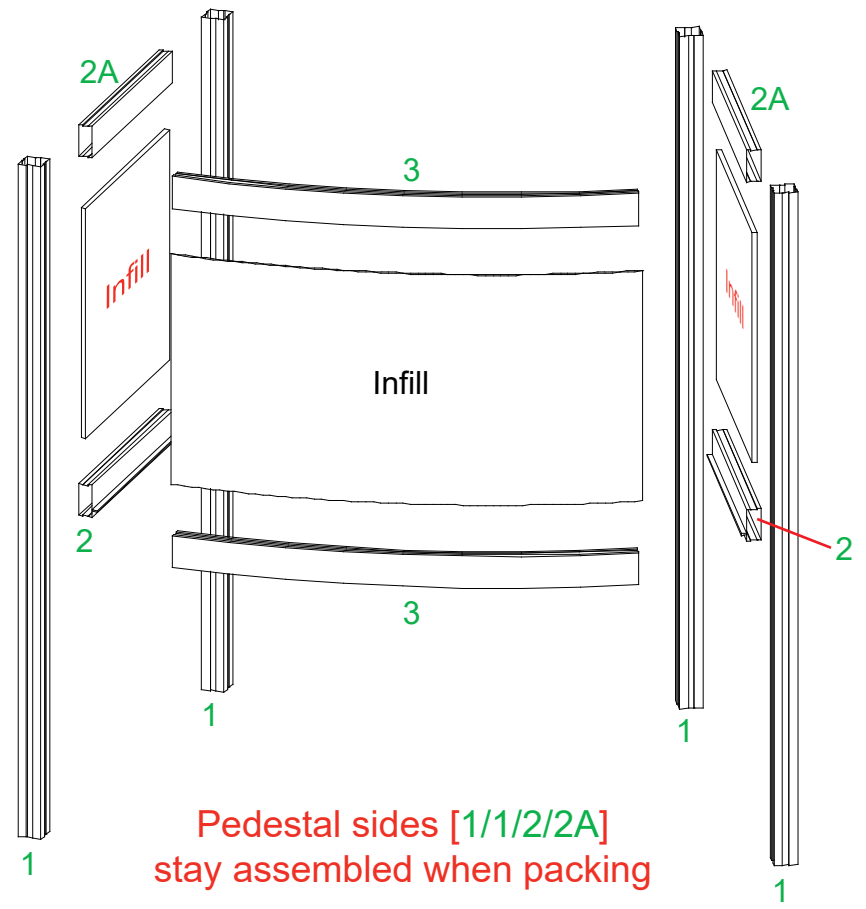
- 1) Attach horizontals [2] and [2A] between verticals [1], with infills between.
- 2) Attach curved horizontals [3] between front verticals [1], with infill between.
- 3) Place shelf on lip of extrusions [2]. See [Extrusion Lip](#) detail.
- 4) Set pedestal top on top of extrusions [2A] and [3].



Top View



Completed Pedestal Assembly



**\* Extrusion Lip**  
Extrusions [2] have a lip for the shelf to rest upon.

